

*Landini*

# Vision

85 - 95 - 105

**SPEED FIVE • POWER SHUTTLE  
CAB**





## Vision, never driven a tractor like this

The Landini **Vision** series is a range of medium-power tractors designed to meet the ever-growing needs of the market for improved versatility, comfort, safety and productivity.

The **Vision** cab provides all-round visibility and optimum sound-proofing and features a clear sunroof for working with front loaders.

The excellent quality and the modern design of the controls, arranged in ergonomic position on the dashboard, ensure a functional and agreeable working environment making driving a real pleasure.

The strong point of the vision series is the 5-speed transmission available in two versions - **Standard** and **Power Five** - which enables the tractor to reach the speed of 25 mph (40 kph). The tractor is further equipped with creeper providing a minimum speed of 0,25 mph (0,400 kph).



The *Power Shuttle* version features a hydraulic reverse power shuttle of the latest generation and a *HI-LO* (hydraulic splitter gear) which make the *Vision* the most advanced tractor in its class.

The 2-speed PTO plus a hydraulically-operated ground speed PTO, the powerful hydraulics with 5 auxiliary valves available, the capability for mounting a front power lift and PTO as well as a purpose-built front loader complete the features of the *Vision* series further improving its versatility.

**Landini**



### **New Perkins 1100 Series engines (EURO2 / TIER2) and forward tilting hood**

The new *Perkins* 4-cylinder aspirated and turbo engines deliver 81.6, 91.9 and 98.6 HP (ISO) offering high torque backup, improved fuel efficiency, low noise and reduced emissions.

The forward tilting hood provides easy access to the engine for routine service and maintenance (fig. A).

### **New front axle**

The four-wheel drive front axle with electro-hydraulic engagement and 55° steering angle (fig. B) ensures optimum ground clearance and excellent manoeuvrability.

The oil-immersed disc brakes combined with the action of the rear brakes ensure effective integral braking on all four wheels.

### **Front power lift and PTO (optional) for enhanced versatility**

The Cat. 2 front power lift ensures a maximum lifting capacity of 5280 lb. (2400 kg) and provides rising/lowering and floating position control functions (fig. B).

The PTO with button-operated electrohydraulic engagement offers a speed of 1000 rpm.

The front lift and PTO have been specifically designed to be integrated in this tractor range for enhanced versatility.



### **Deltafive transmission (40FWD+40REV) with De-clutch Control and Reverse Power Shuttle**

The electrohydraulically-operated *splitter gear* (HI-LO, 20% reduction) enables the number of speeds of the basic transmission to be doubled using the green button integrated in the gear lever. *Power-Five* + *Speed Five* (basic transmission) + *Creeper* + *Reverse Power Shuttle* provide a total number of 40FWD+40REV speeds.

The *De-clutch Control* (orange button on the gear lever) (fig. C) and the *Reverse Power Shuttle* (lever integrated in the steering column) (fig. D) enable clutch-less engagement and reversal of all mechanical gears.





**Vision, the pleasure of driving  
a different tractor**

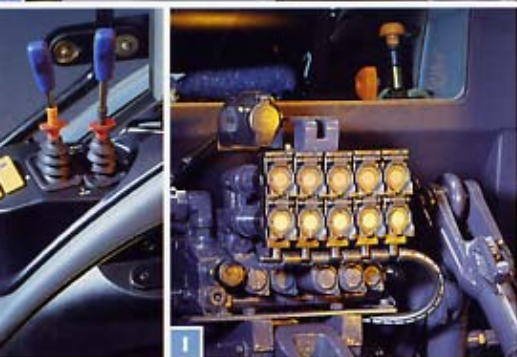




F



G



I

### New electronic Landtronic power lift

The new electronically-controlled Landtronic power lift with controls located in comfortable and ergonomic position on the driver's right (fig. F) incorporates all main functions and regulations offering maximum *comfort* and fingertip control of implements. The cat. 2 three-point linkage (fig. G) ensures a lifting capacity of 9570 lb. (4350) kg.

### Hydra-PTO: 2-speed PTO with hydraulic engagement for maximum productivity

The 1 3/8-inch PTO with hydraulic engagement offers two speeds: 540/750 rpm (standard) or 540/1000 rpm (optional).

The wet disc clutch, operated by lever, enables smooth and progressive engagement of the PTO, preventing abrupt starting of the shaft for improved *comfort* (fig. E).

### Powerful hydraulic system and auxiliary valve versatility

The hydraulic system provides a maximum total flow rate of 14,2 gal. (85 l/min).

The system features 5 hydraulic auxiliary valves with lever controls integrated in the console located on the driver's right (fig. H).

The auxiliary valves, two of which controlled by joystick for front loader use and 3 controlled by standard levers, lend the **Vision** tractors excellent versatility while increasing the implement productivity

Easy-to-access high-quality quick-release couplings ensure optimum *comfort* of operation and improved tractor productivity (fig. I).



L

### High-visibility cab

The **Vision** cab, mounted on a suspended platform, features full glazing for all-round visibility and a clear sunroof for working with front loaders.

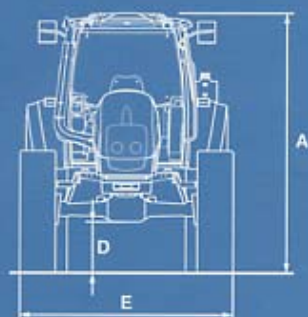
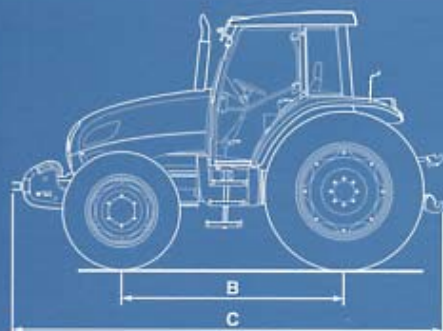
The quality and *design* of the controls, arranged in ergonomic position on the console make driving a pleasure.

The adjustable sprung seat and steering wheel along with the excellent air-conditioning and optimum sound-proofing further improve the *comfort* of the working environment (fig. L).

**Landini**

		VISION 85	VISION 95	VISION 105
		Speed Five / Power Shuttle	Speed Five / Power Shuttle	Speed Five / Power Shuttle
<b>"Green" engine</b>				
Perkins direct-injection engine (EURO2 / TIER2)				
max. power (ISO)	hp/kw	1104C-44	1104C-44T	1104C-44T
net PTO power (ISO)	hp/kw	81,6 / 60	91,9 / 67,6	98,6 / 72,5
max. torque	lb. (Nm)	75,5 / 55,5*	85 / 62,5*	91 / 67*
displacement	cu. in. (cm <sup>3</sup> )	215 (292)	280 (380)	268 (364)
nr. of cylinders / turbocharged		268,5 (4400)	268,5 (4400)	268,5 (4400)
standard fuel tank	gal. (lt)	4 / no	4 / yes	4 / yes
		32 (120)	32 (120)	32 (120)
<b>Clutch</b>				
single-plate dry clutch	in. / (mm)	13 / (330)	13 / (330)	13 / (330)
multi-disc wet clutch		•	•	•
<b>Transmission</b>				
Speedfive + mech. reverse shuttle 15FWD+15REV		○	○	○
Speedfive + creeper + mech. reverse shuttle 20FWD+20REV		•	•	•
Speedfive + creeper 20FWD+20REV		•	•	•
Powerfive + Speedfive + creeper 40FWD+40REV		○	○	○
Reverse Power Shuttle: reverse power shuttle under load		•	•	•
<b>Power Take-off Hydra-P.T.O.</b>				
oil-immersed multi-disk PTO		•	•	•
2 speeds: 540/750 rpm		•	•	•
ground speed PTO		•	•	•
<b>4WD front axle</b>				
4WD electrohydraulic engagement		•	•	•
max. steering angle 55°		•	•	•
Twin-Lock electrohydraulic diff-locks		•	•	•
turning radius without brakes	in. (mm)	177 (4500)	177 (4500)	177 (4500)
<b>Brakes (Integral Braking System)</b>				
oil-immersed graphite-coated rear brakes	discs	10	10	12
oil-immersed graphite-coated front brakes	discs	4	4	4
<b>Hydraulic power lift</b>				
mechanically operated		•	•	•
electronically-operated "Landtronic"		○	○	○
lifting capacity with 2 auxiliary cylinders	lb. (Kg)	5720 (2600) / 8140 (3700)	8140 (3700)	9570 (4350)
hydraulic flow @ remotes	GPM (lt/min)	14,2 (54)	14,2 (54)	14,2 (54)
total hydraulic flow	GPM (lt/min)	22,5 (85)	22,5 (85)	22,5 (85)
STD + OPT auxiliary valves		3 + 2	3 + 2	3 + 2
<b>Weights and dimensions with tyres</b>				
A height over cab	in. (mm)	540/65R34	540/65R34	600/65R34
B wheelbase	in. (mm)	103,5 (2630)	103,5 (2630)	105,5 (2680)
C total length total length (with ballast)	in. (mm)	93,5 (2380)	93,5 (2380)	95 (2410)
D ground clearance	in. (mm)	174 (4430)	174 (4430)	174,5 (4440)
E min. width	in. (mm)	16,5 (420)	16,5 (420)	17,5 (450)
total weight (without ballast)	lb. (kg)	73 (1850)	73 (1850)	73 (1850)
		8954 (4070)	8954 (4070)	9152 (4160)

Key: • standard – ○ option – not available \* power estimated by manufacturer



Landini S.p.A. 42042 Fabbrico [RE] Italia  
via G. Matteotti, 7  
t. +39.0522.656111  
f. +39.0522.656476  
webmaster@landini.it  
www.landini.it



Gruppo Industriale ARGO

Landini chooses lubricants

Landini  
AgroLube